

AVC-TB52M50
5MP HD-TVI MOTORIZED VARIFOCAL BULLET CAMERA



5MP HD-TVI MOTORIZED VARIFOCAL BULLET CAMERA

5MP HD-TVI MOTORIZED VARIFOCAL BULLET CAMERA WITH HD OVER COAX FEATURES

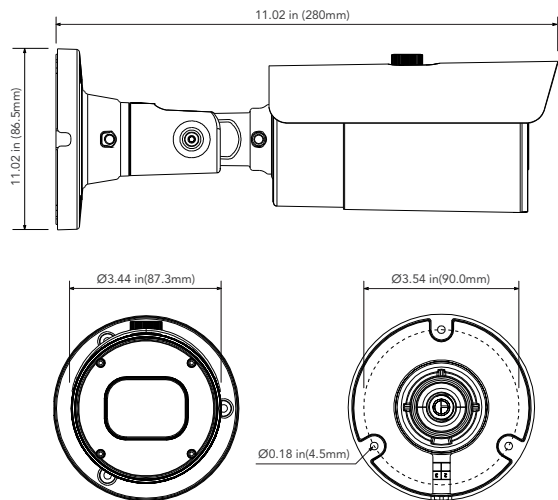
Our Second Generation HD-TVI Series continues providing the quality expected from the AVYCON brand. This 5MP camera includes an upgraded Smart IR LED array, new DIP switch design for easily changing video formats (HD-TVI, CVI, AHD and Analog), and a redesigned front face to help with a more accurate night view. With the newest generation chipset and board design, we have also increased power efficiency with a possible 20% savings in consumption. This camera also includes a motorized 5mm - 50mm Varifocal Lens with Auto-focus capabilities that can be controlled through the DVR. Also standard with this series is Digital NR, AGC, True WDR, and BLC capabilities along with IP67 outdoor rating.

FUNCTIONS

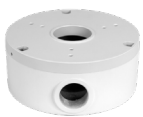
- 5MP (2592 x 1944)
- Motorized 5 - 50mm (10X) Lens
- HD-TVI / CVI / AHD / CVBS (Analog)
- Easy-to-Use DIP Switch to Change Formats
- True Day / Night
- Smart IR Illumination Up to 164ft
- Digital NR
- True WDR
- IP67 Outdoor Rating
- Dual Voltage: DC 12V (±10%, 5W Consumption) & AC 24V
- NDAA Compliant

DIMENSIONS

Unit : inch (mm)



OPTIONAL ACCESSORIES



AVM-JB-BE-S1
 JUNCTION BOX
 (FIT VERSION)



AVM-JB-BE-L1
 JUNCTION BOX
 (WIDE VERSION)



AVM-CRM-A1
 CORNER MOUNT



AVM-POM-A1
 POLE MOUNT



AVC-TB52M50

5MP HD-TVI MOTORIZED VARIFOCAL BULLET CAMERA

SPECIFICATIONS

CAMERA	
Image Sensor	1/2.7" Progressive Scan CMOS
Resolution	5MP
Image Size	2592 x 1944
Video Output	1-channel BNC Video Output
Image System	PAL / NTSC
Electronic Shutter	1/15s to 1/50,000s
IR Distance	Up to 164ft.
Video Formats	HD-TVI / AHD / CVI / CVBS (Analog)
Frame Rate	5AHD/5TVI: 5MP @20fps (NTSC / PAL) AHD/CVI/TVI: 4MP @30fps (NTSC) / @25fps (PAL), 2MP @30fps (NTSC) / @25fps (PAL)
Min. Illumination	0.05lux@F1.2(AGC ON),0Lux with IR ON
Lens	Motorized 5 - 50mm (10X) Lens
Horizontal Field of View	45~7°
Lens Mount	φ14mm
S/N Ratio	39dB
Function Control	OSD, Control over Coax (UTC)
IMAGE	
Day & Night	EXT / Auto / Color / BW (Black and White)
True WDR	Yes
Digital NR	Yes (3D DNR)
Auto Gain Control (AGC)	Yes
Auto White Balance (AWB)	Yes
Backlight Compensation (BLC)	Yes
Edge Brightness Compensation	Yes
Defog	No
HLC	Yes
Sharpness	Yes
Mirror Image	Yes
Smart IR (Anti-SAT)	Yes
Image Setting	Yes
Defect Correction	Auto / Manual
GENERAL	
Angle Adjustment	Any Angle
Input Voltage	DC 12V (±10%) & AC 24V
Power Consumption	Maximum 5W
Ingress Protection	IP67
Working Environment	-22°~131° F (-30°~55° Celcius)
Dimensions	11.02" x 3.40" (280mm x 86.5mm)



AVYCON[®]

Copyright © AVYCON. All rights reserved. Specifications and pricing are subject to change without notice.

phone: 949-752-7606

email: info@avycon.com

social: @avycon_aivo

website: avycon.com